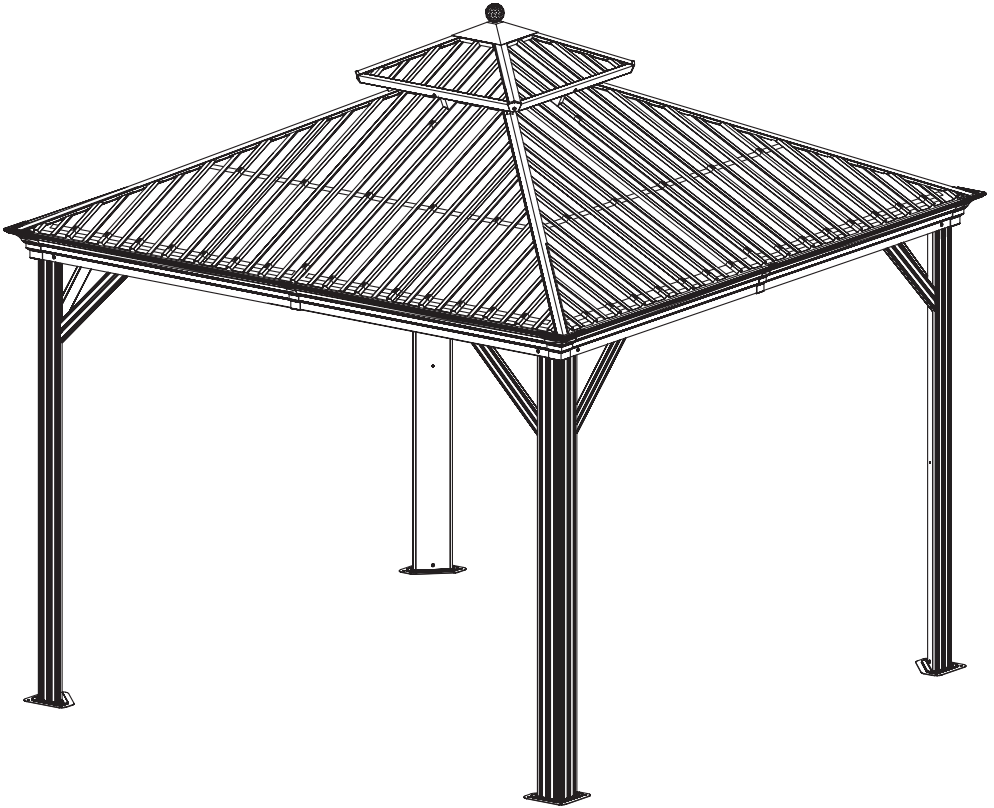


# User Guide



## Porto

10' x 10'

Model: LGMF9740



[www.clubpiscine.ca](http://www.clubpiscine.ca)

For all assistance contact the Hengya Trade Customer Service by telephone at 1-855-379-7070 or by email at [service@hengyatrade.com](mailto:service@hengyatrade.com).

## Regulations

**IMPORTANT: A gazebo may entail to purchase a municipal permit or be subject to specific building codes. It is the consumer's responsibility to inform themselves of any restrictions.**

**It is important to read and follow all safety information prior to assembly of the unit as well as during usage to reduce risk of injury and avoid damage to the product and its surroundings.**

- 1: You must schedule enough time to complete the assembly of the unit which will take approximately 6 hours to set up. You must not leave the unit unattended if it is not completed, even if it is already anchored to the ground. It is recommended that, for safety issues, do not leave the incomplete structure unattended.
- 2: 3 people are required to assemble the gazebo .
- 3: The unit must be assembled on a level platform (wood deck, stone tile or concrete) and must be anchored using appropriate screws for that flooring. Failure to do so will nullify the Warranty.
- 4: To avoid damages the assembly of the unit should be constructed no less than 5 feet from any fixed obstruction.
- 5: To avoid damage to the unit and its components, place all parts on a soft surface and use appropriate tools. Do not use the structure as a support; use a stepladder.
- 6: Do not use the structure as a support; use a stepladder.
- 7: Some assembly parts contain sharp edges; you should wear protective gloves when handling these items.

***If any of these above-mentioned instructions is not followed the warranty will be voided.***

***If at any time you require assistance to assemble your gazebo contact the Hengya Trade customer service team at 1-855-379-7070 or email [service@hengyatrade.com](mailto:service@hengyatrade.com).***

## Operation

**WARNING:** Do not place any type of space heater, any heat conductor or exposed flame under or within 5 feet of the gazebo.

The fabrics (mosquito netting and curtains) meet the flammability requirements of CPAI-84. The fabrics may burn if they are in continuous contact with a flame. Any foreign substance applied directly to the any of the fabrics may weaken the flame-resistant properties.

## **Maintenance**

The gazebo can be left outside year round. You **MUST**, however, remove any snow accumulation at all times. Failure to do so will nullify the Warranty.

Mosquito netting and curtains (on certain models) must be stored during winter.

In case of defective parts or if a problem occurs while using the product, please contact the Hengya Trade customer service team at 1-855-379-7070 or email [service@hengyatrade.com](mailto:service@hengyatrade.com). **DO NOT RETURN THIS PRODUCT TO THE STORE.**

To order replacement parts you will refer to the Model # of this unit and the Part # in the Parts List.

## **Care and Cleaning**

Use a domestic soap or detergent and wash periodically with warm water using a sponge or fabric. Rinse with clean water.

Check periodically that all screws are tight to maintain the solidity of the structure.

## **Warranty**

This gazebo is guaranteed against defective materials from the factory or based on normal use of the product as follows: 5 years on the frame, 5 years on the roof and discoloration due to rust. Limited warranty applicable on parts only. No warranty on labor.

Shipping fees are covered during the warranty period. Keep your proof of purchase during the warranty period.

### **WHAT IS NOT COVERED**

- Damages caused by abuse, misuse of this product or vandalism.
- Damages due to natural catastrophes.
- Water infiltration and holes in the roof panels are not covered.

**For any assistance regarding the warranty of your gazebo contact the Hengya Trade customer service team at 1-855-379-7070 or email [service@hengyatrade.com](mailto:service@hengyatrade.com).**

## PLANNING INSTALLATION

Make sure that the boxes contain all the parts before starting the assembly.

Follow all assembly instructions for proper construction.

Keep this User Guide and Parts List for future reference.

## TOOLS REQUIRED ( Not included in boxes )



LEVEL



PHILLIPS SCREW DRIVER



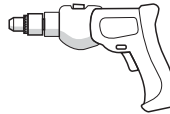
SAFETY GOGGLES



SAFETY HAT



GLOVES



DRILL










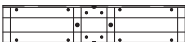




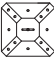







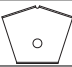




STEPLADDER

## HARDWARE PACKAGE INCLUDED

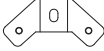

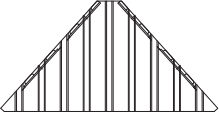
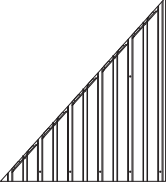
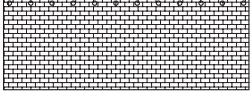
1#		182
Bolt (M6x16)		
2#		16
Bolt (M6x20)		
3#		16
Capped Bolt		
4#		16
Bolt (M6x35)		
5#		56
Bolt and Cap (M6x28)		
6#		8
Bolt and Cap (M6x45)		
7#		16
Bolt and Cap (M6x50)		
8#		4
Bolt (M5x16)		

9#		24
Screw (M4,8x13)		
10#		4
Bolt (M6x25)		
11#		8
Bolt (M6x10)		
12#		48
Hook		
-		1
Allen Key (S6)		
-		1
Allen Key (S4)		
-		1
Wrench		
-		1
Wrench		

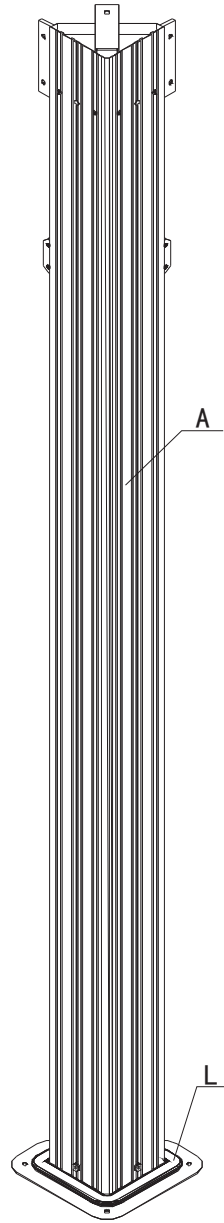
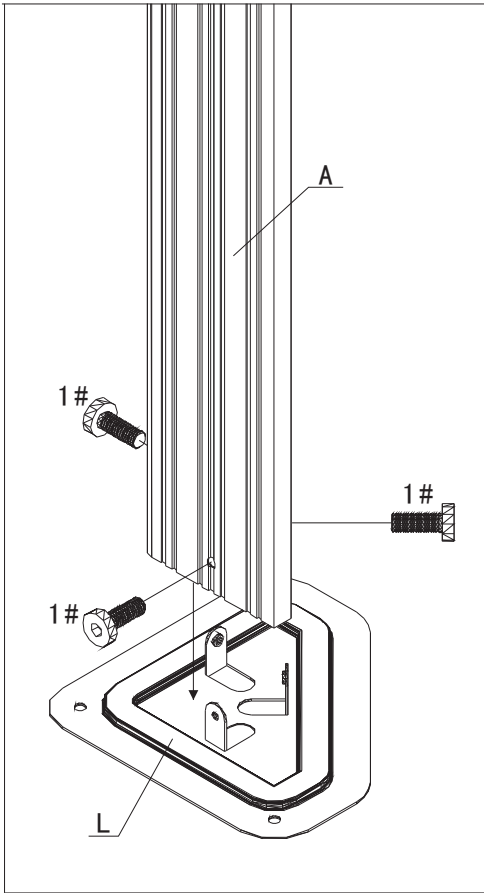
**PARTS LIST**

A					4
Column					
B					4
Crossbeam (Short)					
B1					4
Gap Cover					
B2					4
Track					
C					4
Crossbeam (Short)					
C1					4
Gap Cover					
C2					4
Track					
F					4
Connector Plate					
G		4	H		4
Corner Gap Cover			Gap Cover		
J1		4	J2		4
Corner Bracket			Corner Bracket		
K		1	K1		1
Roof Connector			Roof Connector		
K2		1	L		4
Decorative Ball			Base		
M					4
Corner Roof Bar					
N					4
Roof Bar					
P					4
Roof Connector Track					
P1					4
Mosquito Mesh					
R		8	S		84
Corner Gap Cover			Spacer		
T					4
Finishing Bar (Upper Roof)					
U1					4
Finishing Bar (Main Roof)					
U2					4
Finishing Bar (Main Roof)					

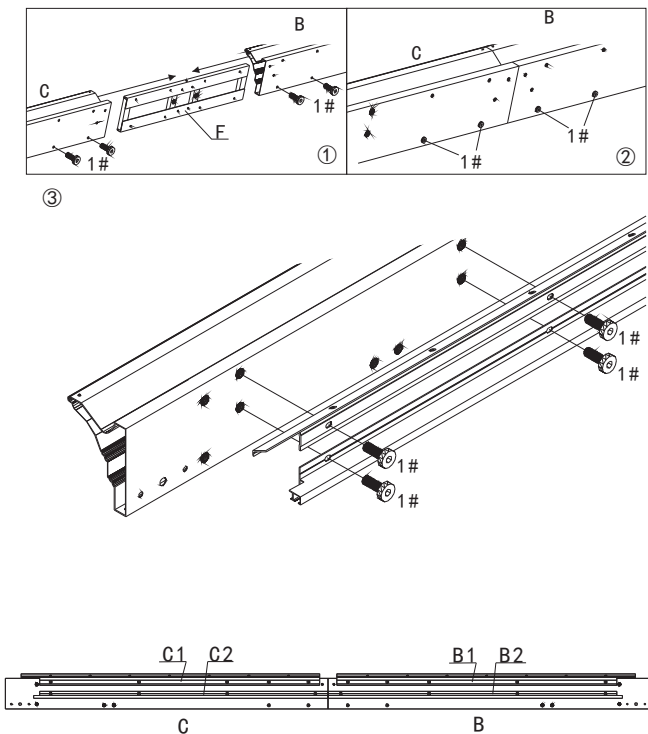
**PARTS LIST**

U5				4
Iron Angle				
U6				4
Iron Angle				
V		4	W	4
Roof Panel			Roof Panel	
W1		4	W2	4
Roof Panel			Roof Panel	
Y				4
Mosquito Net				

STEP 1

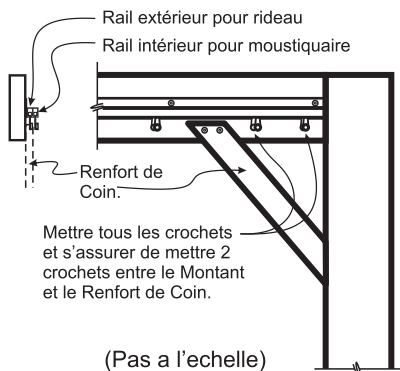


## STEP 2



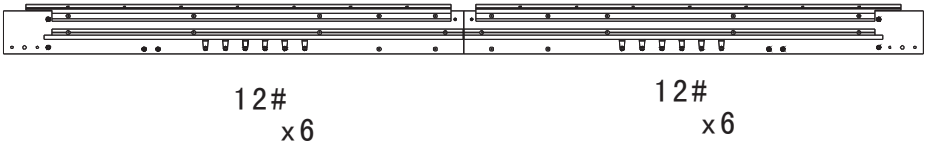
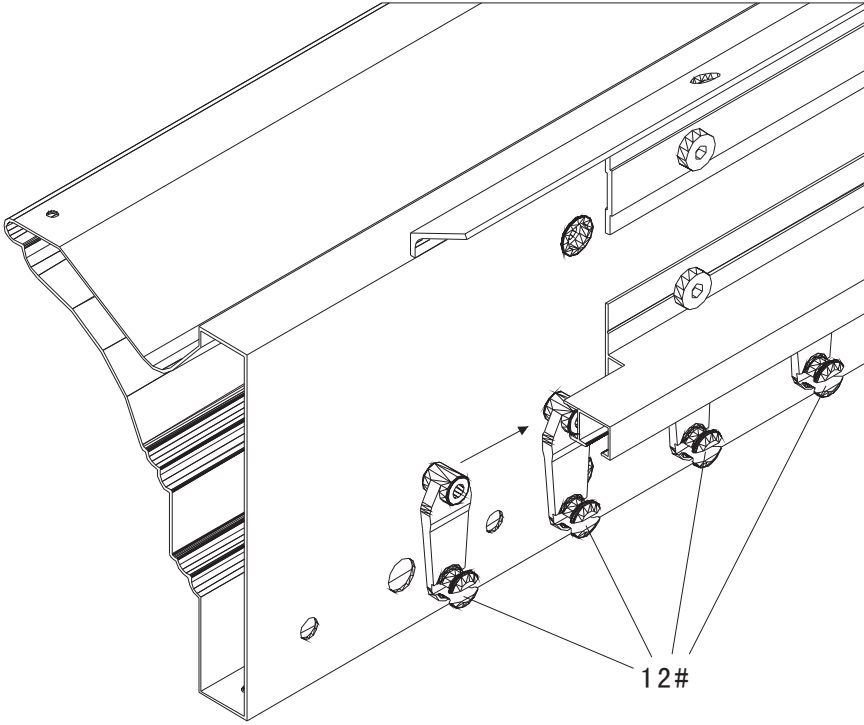
Le moustiquaire doit être installé sur le rail intérieur.

- 1) Si vous installez un rideau (vendu séparément) en même temps que le moustiquaire, le moustiquaire s'installe sur le rail intérieur et rideau sur le rail extérieur. ( Les crochets viennent avec rideaux.)
- 2) Si vous voulez installer le rideau par la suite, vous devrez installer les crochets d'avance pour ne pas avoir à démonter le gazebo.



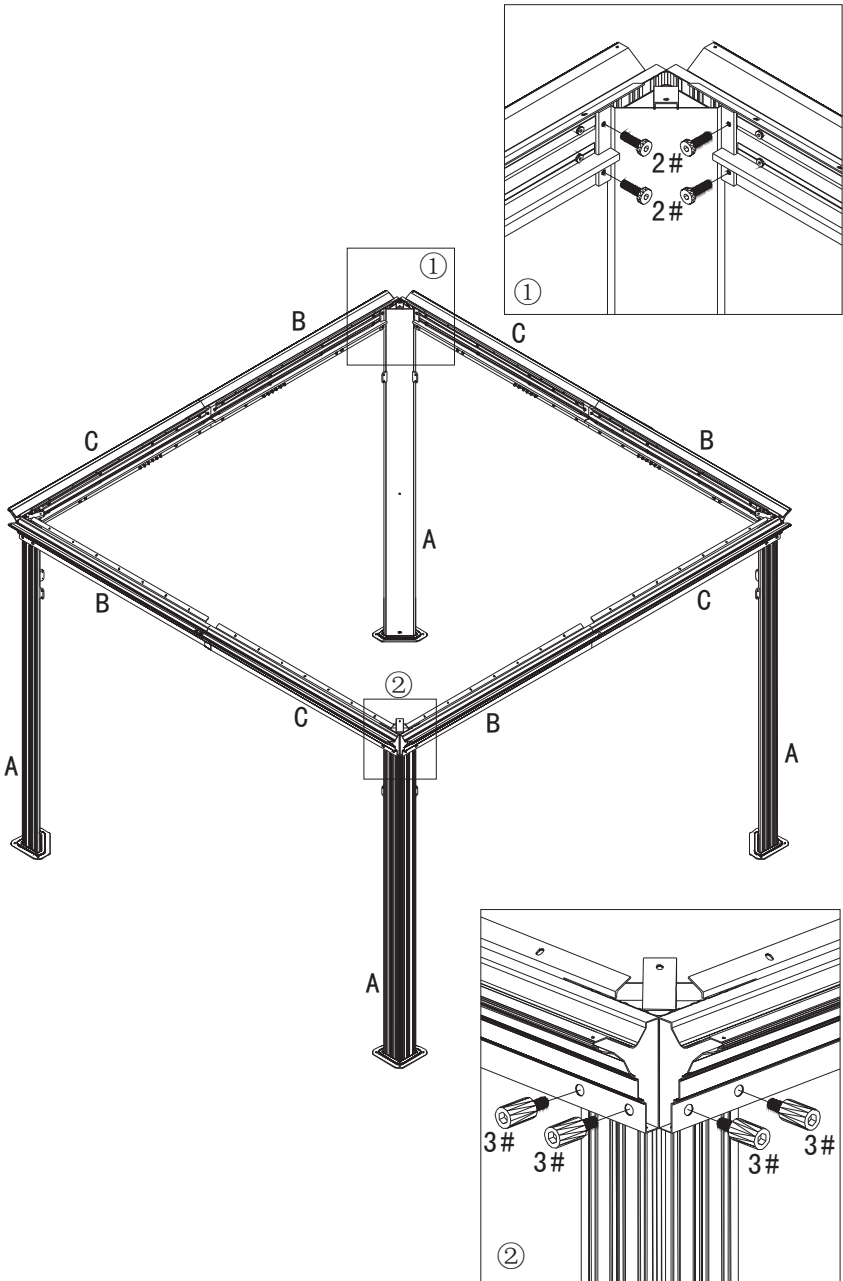


**STEP 3**

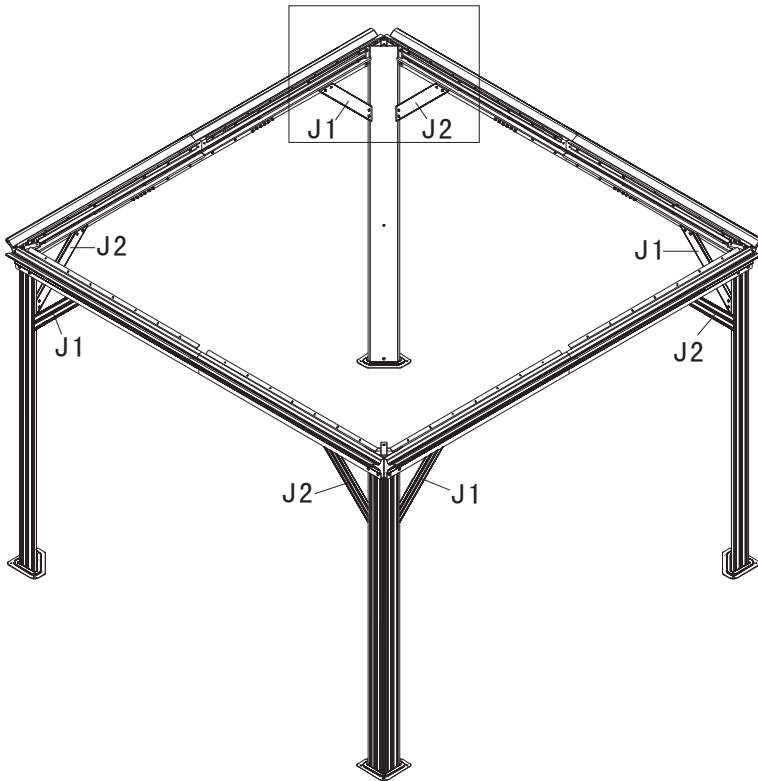
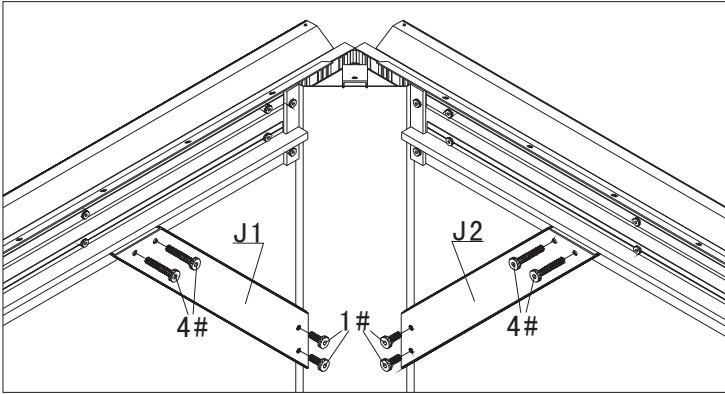


Insert 6 Hooks (12#) into each of the rails of each track (B2 and C2) ( total 12 per track once connected ) facing inward as illustrated.

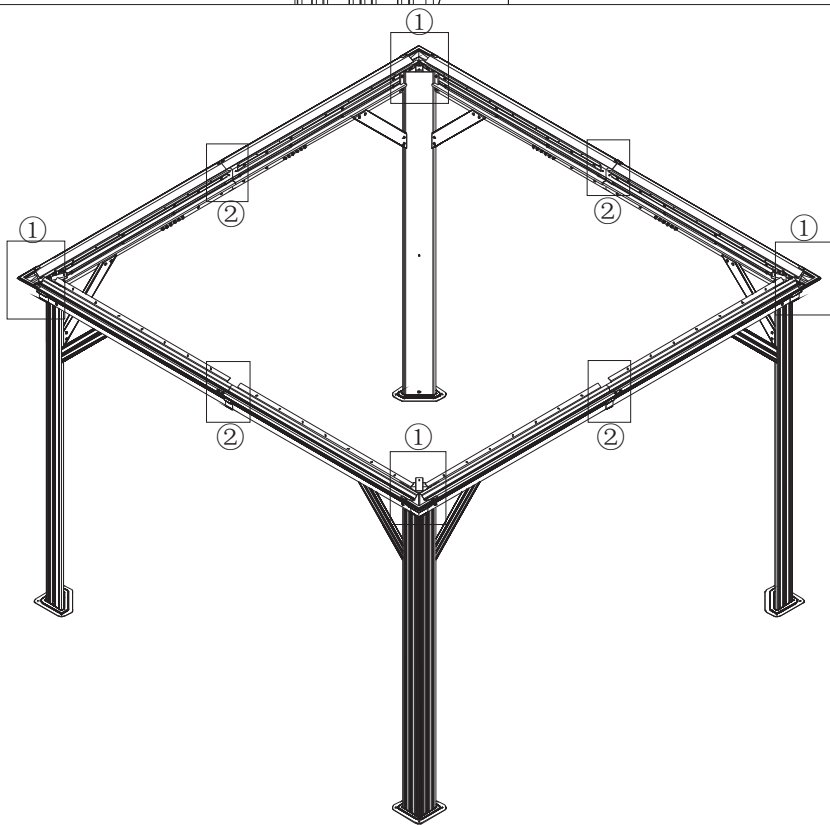
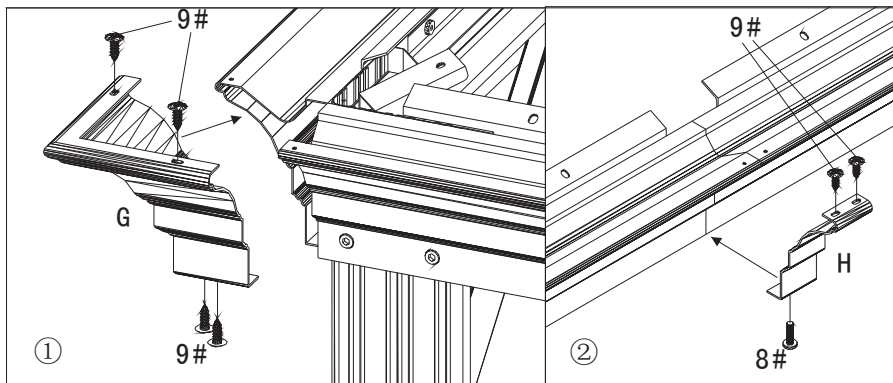
STEP 4



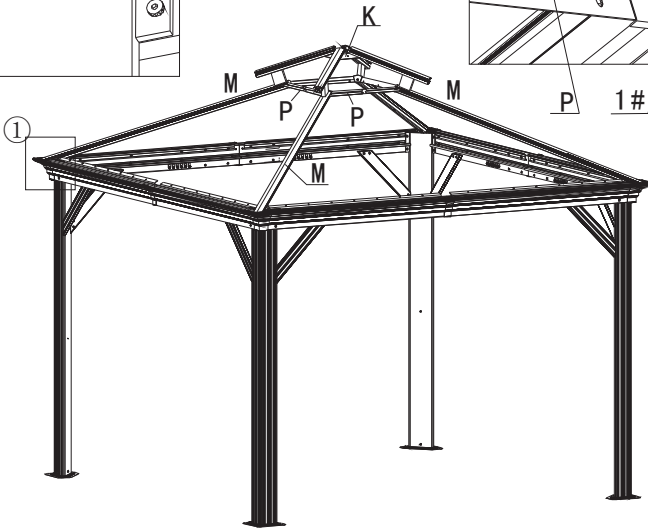
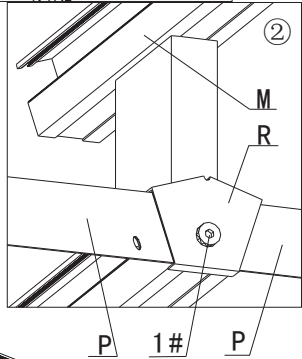
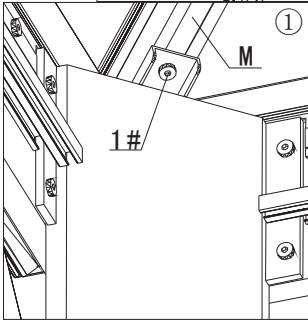
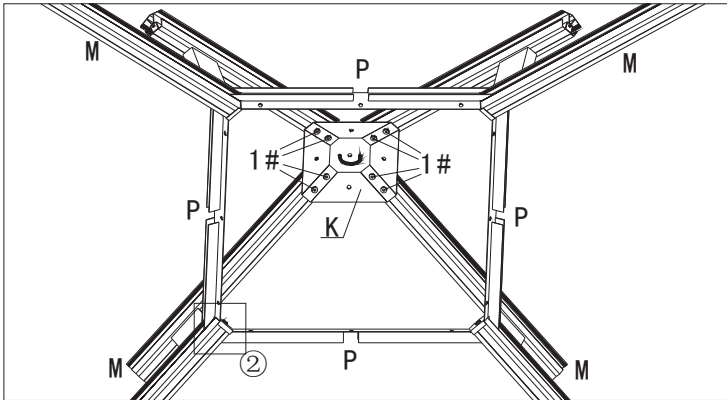
STEP 5



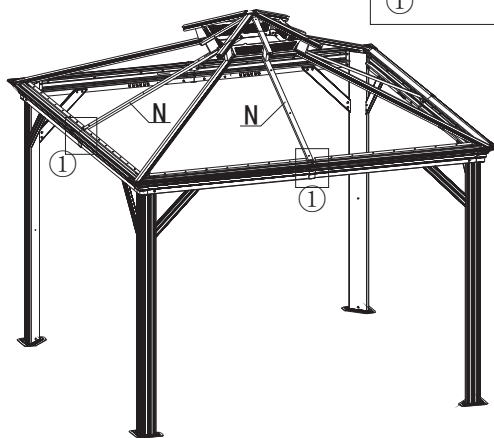
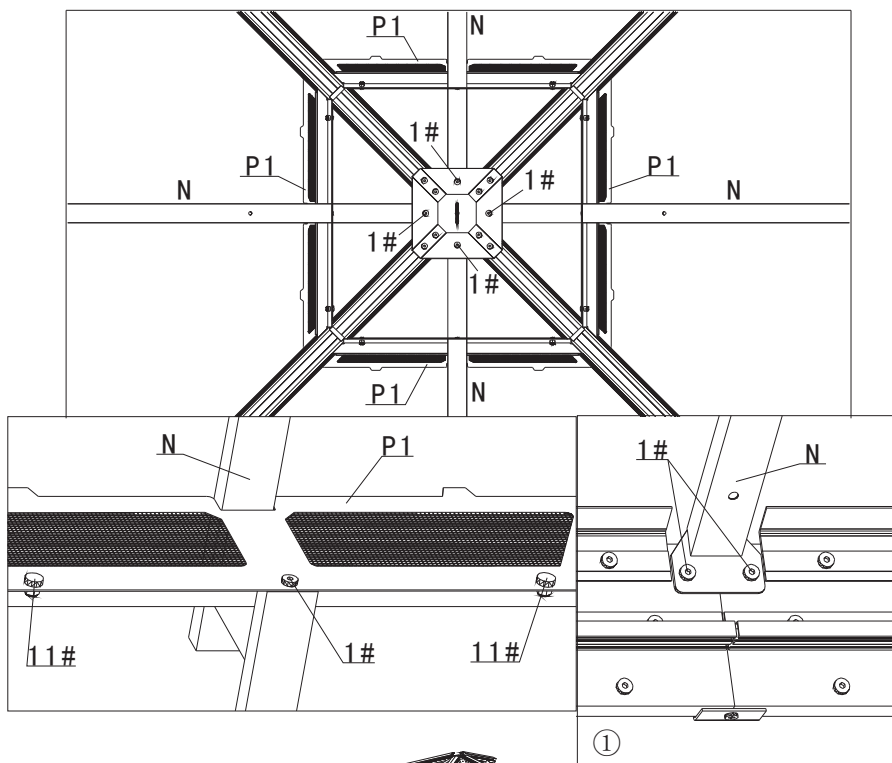
STEP 6



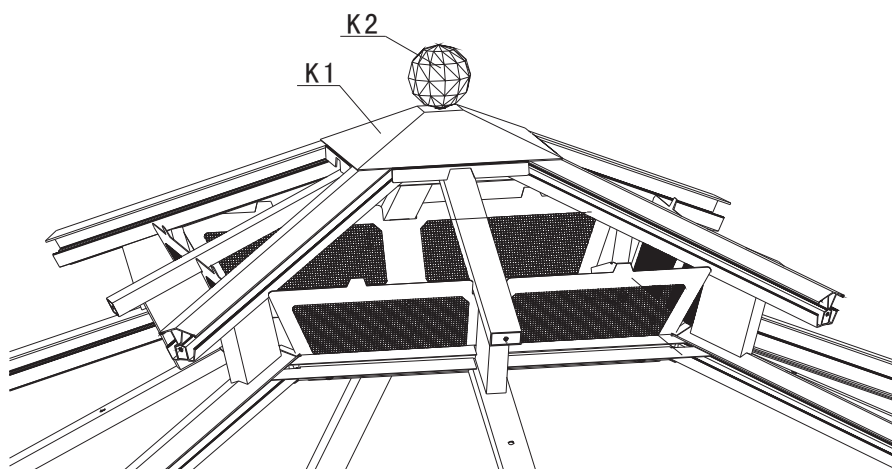
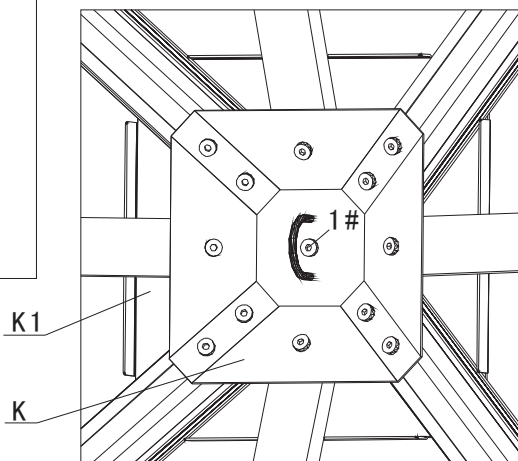
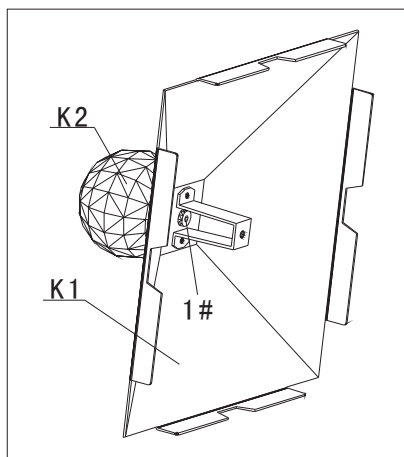
STEP 7



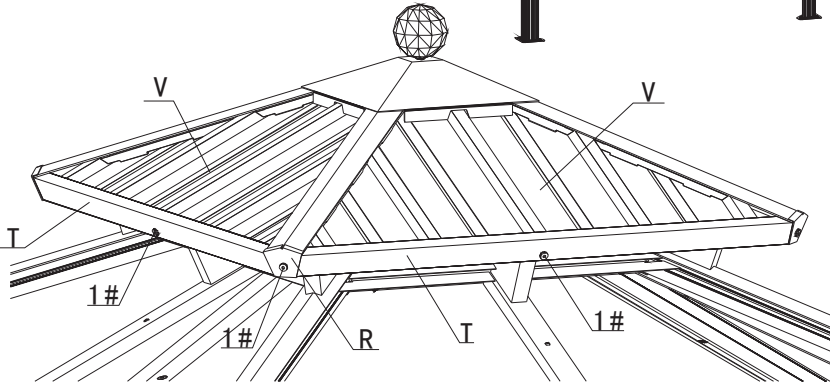
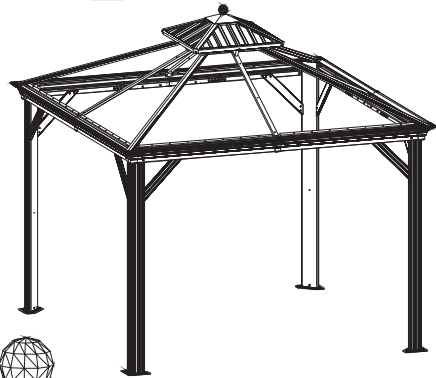
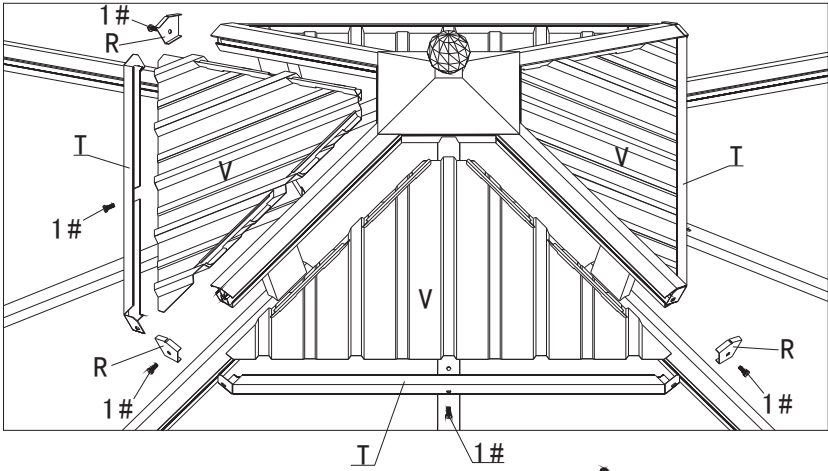
STEP 8



STEP 9

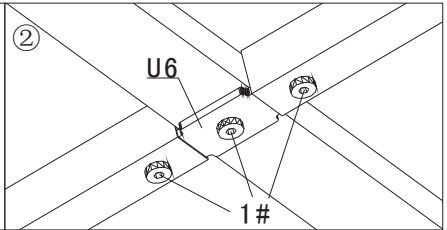
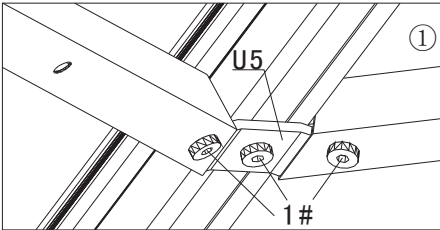
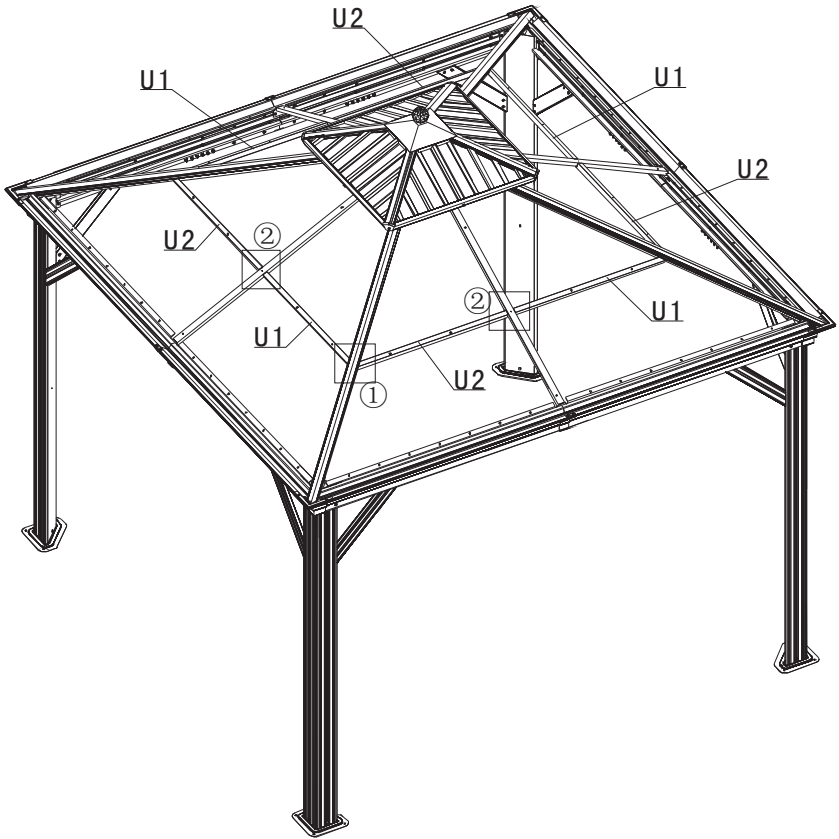


STEP 10

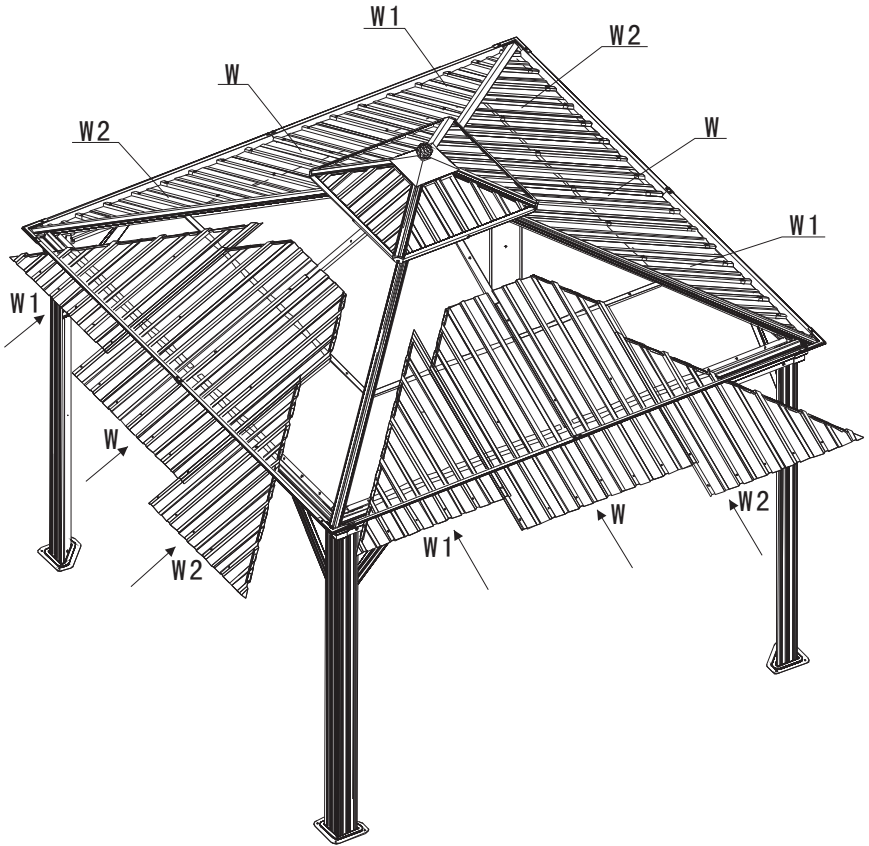




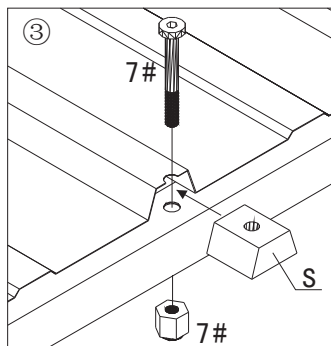
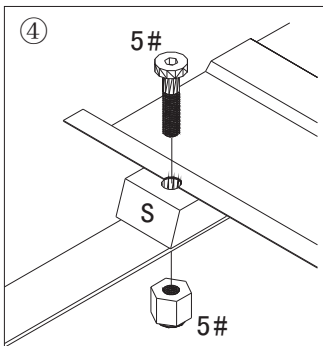
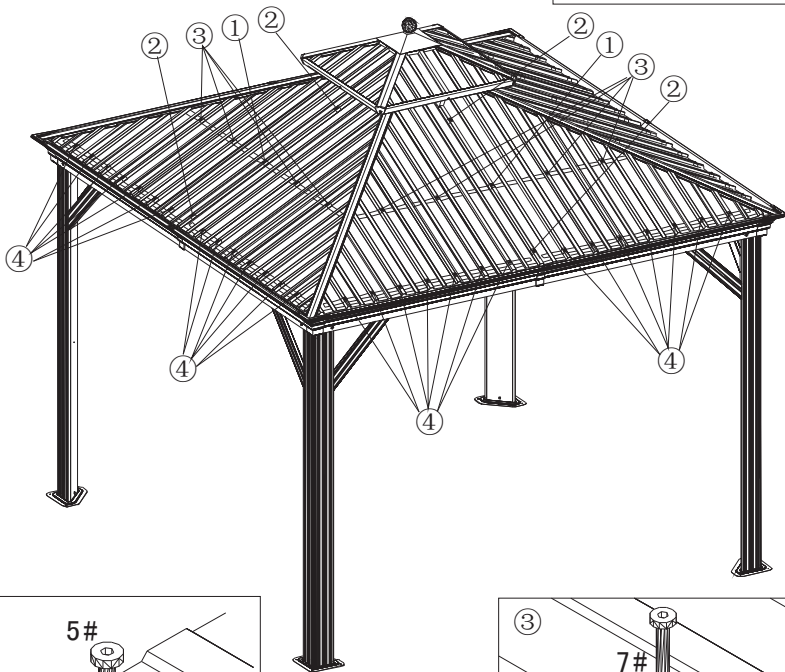
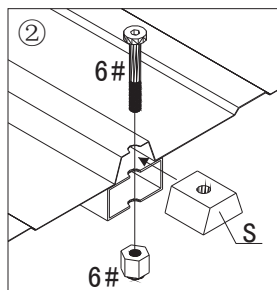
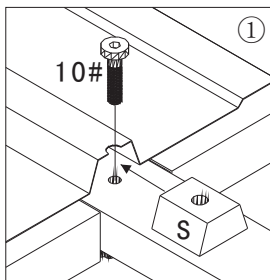
STEP 11



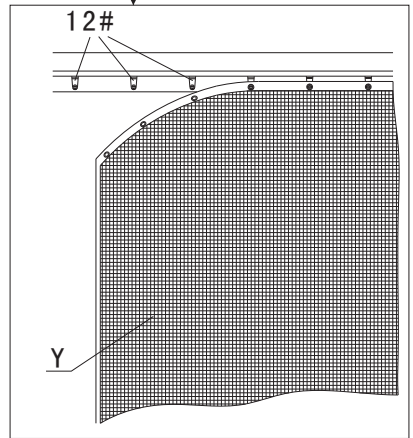
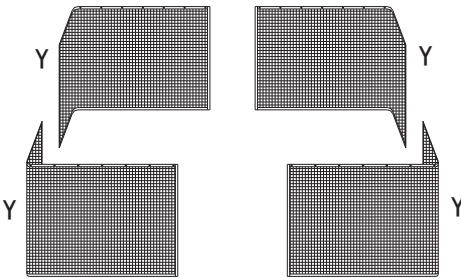
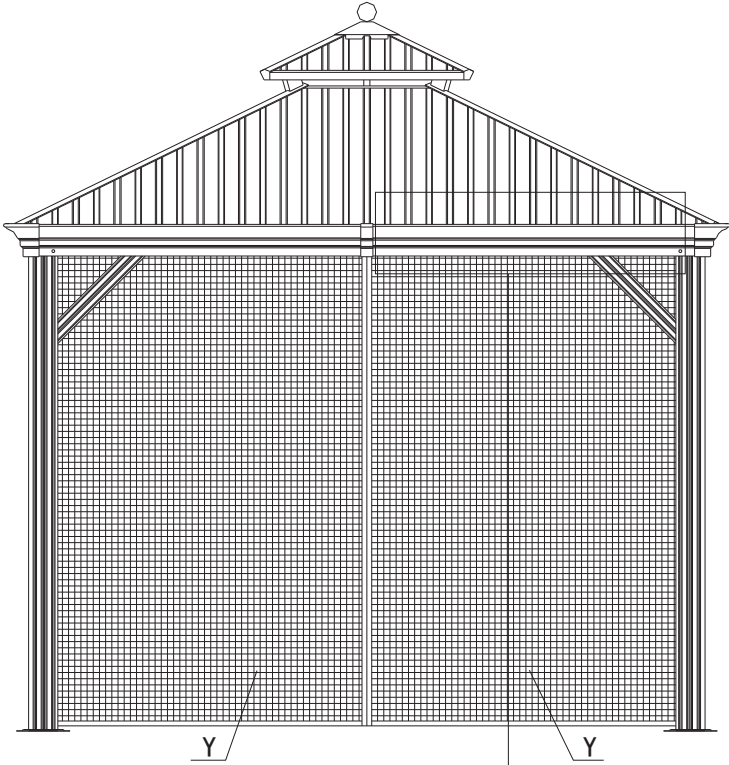
STEP 12



STEP 13



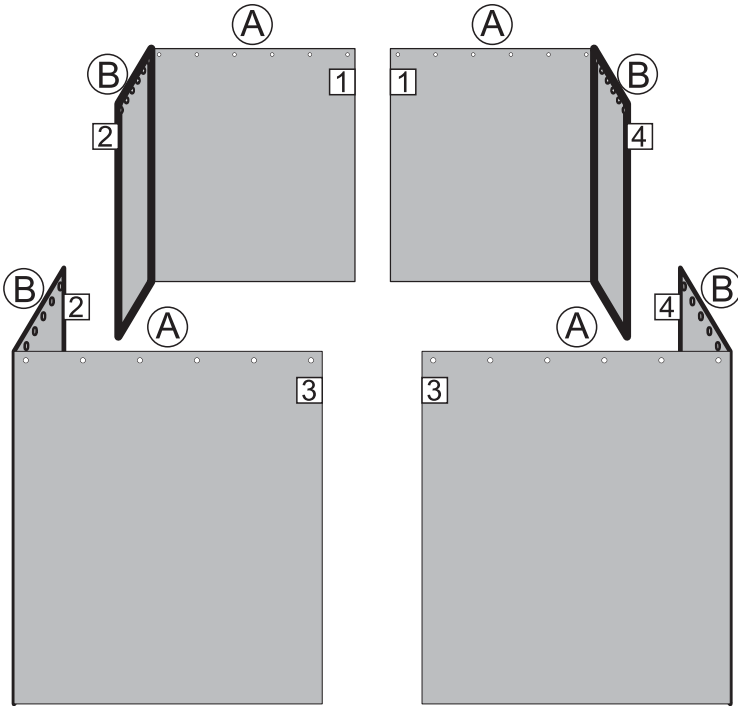
**STEP 14**



Install the Mosquito Netting (Y) by inserting the eyelets into the Hooks (12#). Make sure that the zippers are at the center between the columns as illustrated

**STEP 15**

GRANDEUR PORTO	SECTION	CROCHETS	SECTION	CROCHETS
	A	Qtée	B	Qtée
10' x 10'	10'	6 (x2)	10'	6 (x2)
10' x 12'	10'	6 (x2)	12'	7 (x2)
10' x 14'	10'	6 (x2)	14'	8 (x2)
12' x 16'	12'	7 (x2)	16'	9 (x2)



## **Notes**

The unit must be anchored to either wood, stone tiles or concrete using appropriate screws for that flooring, or anchored into the earth or grass with proper camp nails or anchors. Failure to do so may nullify the Warranty.





[www.clubpiscine.ca](http://www.clubpiscine.ca)